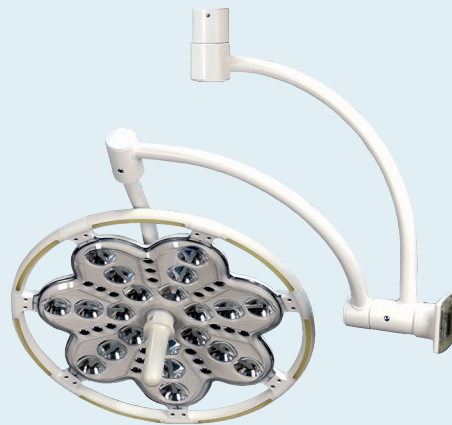


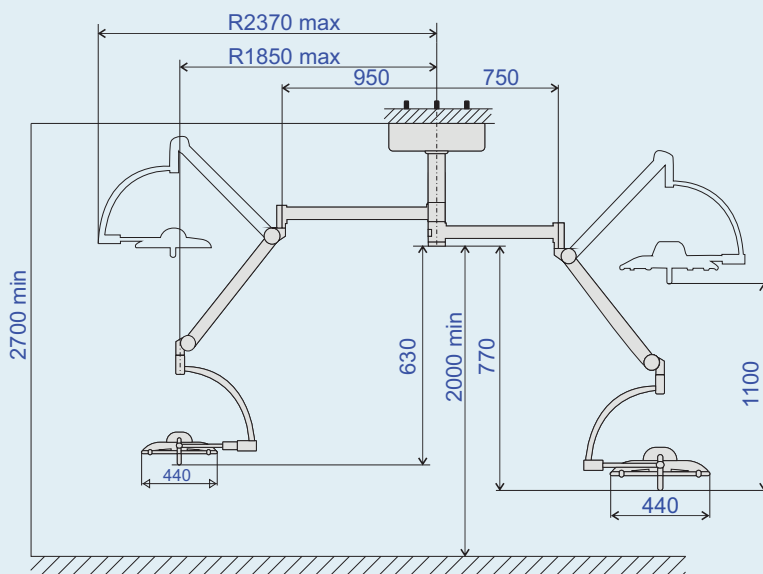


The surgical light combination EMALED 300/300 grants a high light quality and optimal illumination for diagnostical examinations and surgical interventions. The 4-step focusing via the control panel with LCD display enables to adapt the light field as needed.



## TECHNICAL DETAILS

	EMALED 300
Illumination (at 1 m)	140.000 lx per light head
Lighting intensity	10 - 100 %
Focusable diameter of lightning field D10	150 - 300 mm
Operating distance	70 - 140 cm
Colour temperature	4.500 K
Colour rendering index	96 Ra
Life expectancy	50.000 hrs
Diameter of light head	440 mm
Number of LEDs	42
Frequency	47 - 63 Hz
Power consumption	24 VA
Weight of lighting element	4,0 kg
Weight of complete system	95 kg



- High light quality through natural colour rendering
- Barely noticeable heating of the light head
- No movable parts in the light head
- Low maintenance requirements
- Adjustable illumination in 10 steps
- Powder coated aluminum case
- High flexibility: 360° rotation horizontal
- Two autoclavable handles are included (additional handles can be ordered any time)
- 4-step focusing via the control panel with LCD display