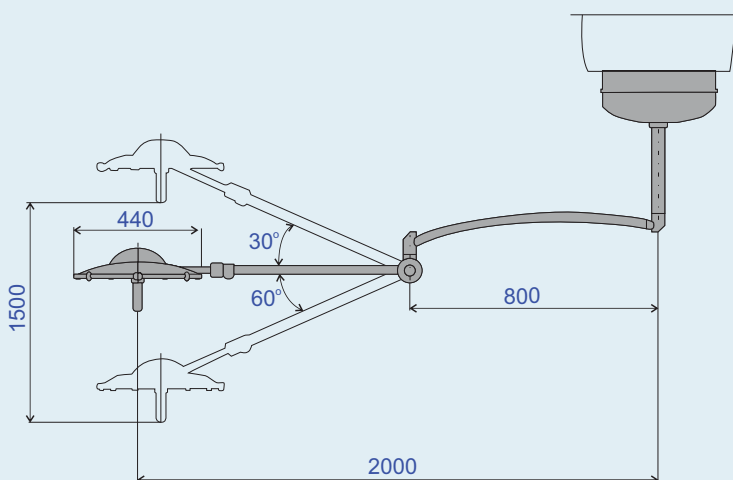


The surgical light EMALED 300 D grants a high light quality and optimal illumination for diagnostic examinations and surgical interventions. The 4-step focusing via the control panel with LCD display enables to adapt the light field as needed.

## TECHNICAL DETAILS

	EMALED 300 D
Illumination (at 1 m)	100.000 lx
Lighting intensity	10 - 100 %
Focusable diameter of lightning field D10	150 - 300 mm
Operating distance	70 - 140 cm
Colour temperature	4.500 K
Colour rendering index	96 Ra
Life expectancy of LEDs	50.000 hrs
Diameter of light head	440 mm
Number of LEDs	42
Main voltage	230 V
Frequency	50 - 60 Hz
Power consumption	24 VA
Height adjustment	1.500 mm
Weight of lighting element	4,0 kg
Weight of complete system	ca. 30 kg



- Natural colour rendering
- Shadow-free illumination
- Barely noticeable heating of the light head
- No moveable parts in the light head
- Low maintenance requirements
- Adjustable illumination in 10 steps
- Powder coated aluminum case
- High flexibility: 360° rotation horizontal
- Two autoclavable handles are included (additional handles can be ordered any time)
- 4-step focusing via the control panel with LCD display
- Optionally: cardanic system