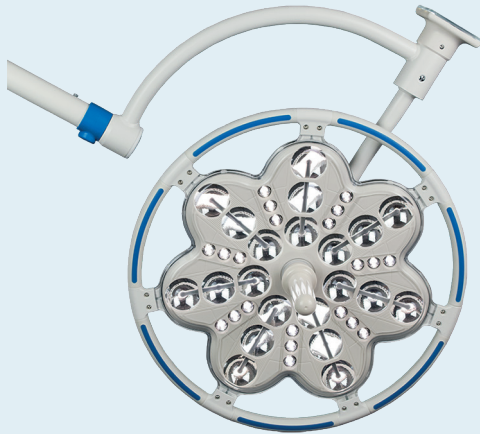




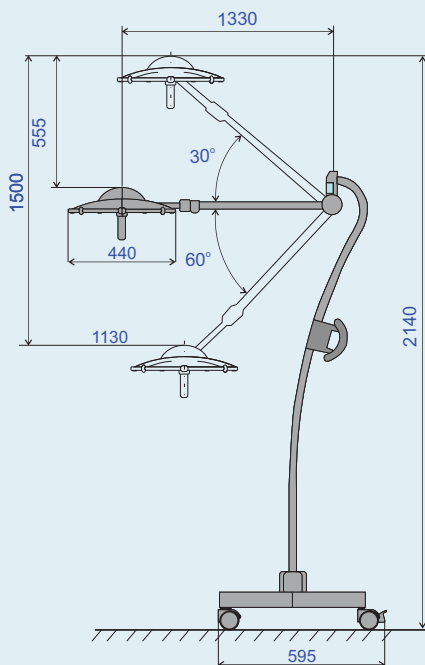
# SURGICAL LIGHT EMALED® 300F OR EMALED® 300F+



This mobile surgical light EMALED 300F or EMALED 300F+ has a great flexibility and can be used in multiple examination and operating rooms. The high illumination and wide focusable light field makes it possible to perform examinations as well as small surgical interventions.

## TECHNICAL DETAILS

|                                           | EMALED 300F  | EMALED 300F+     |
|-------------------------------------------|--------------|------------------|
| Illumination (at 1 m)                     | 100.000 lx   | up to 140.000 lx |
| Lighting intensity                        | 10 - 100 %   | 10 - 100 %       |
| focusable diameter of lightning field D10 | 150 - 300 mm | 150 - 300 mm     |
| Operating distance                        | 70 - 140 cm  | 70 - 140 cm      |
| Colour temperature                        | 4.500 K      | 4.500 K          |
| Colour rendering index                    | 95 Ra        | 95 Ra            |
| Life expectancy of LEDs                   | 50.000 hrs   | 50.000 hrs       |
| Diameter of light head                    | 440 mm       | 440 mm           |
| Number of LEDs                            | 42           | 42               |
| Main voltage                              | 230 V        | 230 V            |
| Frequency                                 | 50 - 60 Hz   | 50 - 60 Hz       |
| Power consumption                         | 24 VA        | 24 VA            |
| weight of lighting element                | 4,0 kg       | 4,0 kg           |
| weight of complete system                 | 30 kg        | 30 kg            |



- Natural colour rendering
- Barely noticeable heating of the light head
- No moveable parts in the light head
- Low maintenance requirements
- Adjustable illumination in 10 steps
- Powder coated aluminum case
- Two autoclavable handles are included (additional handles can be ordered any time)
- 4-step focusing via the control panel with LCD display
- Optionally: cardanic system