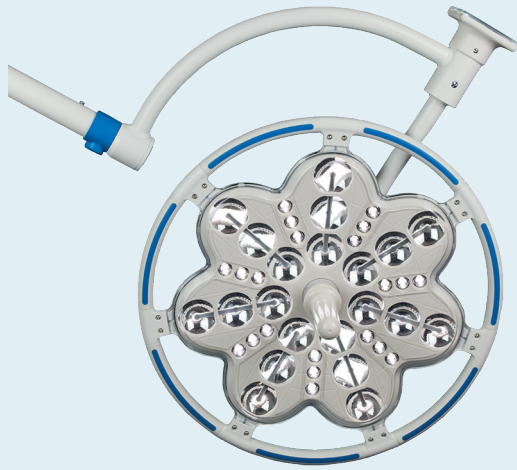




SURGICAL LIGHT EMALED® 300M or EMALED® 300M+

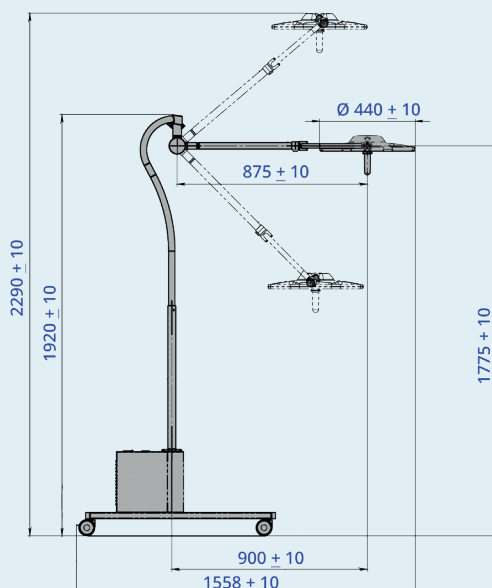


The mobile surgical light EMALED 300M or EMALED 300M+ with a battery back-up can be used without power connection up to 5 hours. The high illumination and excellent lighting quality makes this mobile surgical light a good allrounder in multiple fields.



TECHNICAL DETAILS

	EMALED 300M	EMALED 300M+
Illumination (at 1 m)	100.000 lx	up to 160.000 lx
Lighting intensity	10 - 100 %	10 - 100 %
Focusable diameter of lightning field D10	150 - 300 mm	150 - 300 mm
Operating distance	70 - 140 cm	70 - 140 cm
Colour temperature	4.500 K	4.500 K
Colour rendering index	96 Ra	96 Ra
Life expectancy of LED´s	50.000 hrs	50.000 hrs
Diameter of light head	440 mm	440 mm
Number of LEDs	42	42
Main voltage	230 V	230 V
Frequency	50 - 60 Hz	50 - 60 Hz
Power consumption	24 VA	24 VA
Weight of lighting element	4,0 kg	4,0 kg
Weight of complete system	45 kg	45 kg



- Natural colour rendering
- Shadow-free illumination
- Barely noticeable heating of the light head
- Integrated battery back-up for 5 hour network independent use
- No moveable parts in the light head
- Low maintenance requirements
- Adjustable illumination in 10 steps
- Powder coated aluminum case
- Two autoclavable handles are included (additional handles can be ordered any time)
- 4-step focusing via the control panel with LCD display
- Optionally: cardanic system

