

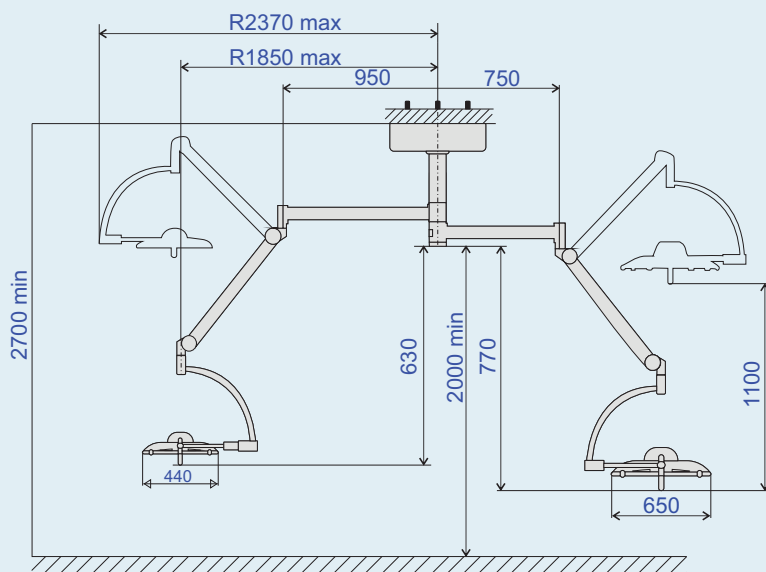
Two moveable and vertically adjustable spring arms make it possible to site the light heads in every desired position. The cardanic system (at both light heads) grants an even higher flexibility.

TECHNICAL DETAILS

	EMALED 560	EMALED 300 or EMALED 300+
Illumination (at 1 m)	160.000 lx	100.000 lx or up to 160.000 lx
Lighting intensity	10 – 100 %	10 – 100 %
Focusable diameter of lightning field D10	185 - 350 mm	150 - 300 mm
Operating distance	70 – 140 cm	70 – 140 cm
Colour temperature	4.500 K	4.500 K
Colour rendering index	95 Ra	95 Ra
Life expectancy of LED 's	50.000 hrs	50.000 hrs
Diameter of light head	650 mm	440 mm
Number of LEDs	70	42
Main voltage	100 – 240 V/24 V	
Frequency	47 - 63 Hz	47 – 63 Hz
Power consumption	60 VA	24 VA
Weight of lighting element	9,5 kg	4,0 kg
Weight of complete system	100 kg	



- Natural colour rendering grants a great light quality
- Shadow-free illumination
- Barely noticeable heating of the light head
- No movable parts in the light head
- Low maintenance requirements
- Adjustable illumination in 10 steps
- Powder coated aluminium case
- Two autoclavable handles are included (additional handles can be ordered any time)
- High flexibility: 360° rotation horizontal
- 4-step focusing via the control panel with LCD display
- Endoscopic mode
- Macro mode



Optional available:

- Remote control (also for double dome lights)
- Emergency power back-up (for up to 4hrs network independent use)
- Full HD camera
- Laser pointer
- Variable colour temperature: 3500 - 5000 K (5-steps)