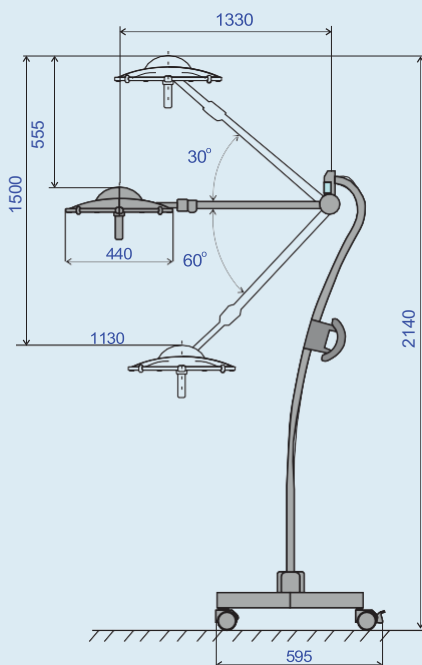


This mobile surgical light EMALED 300 F+ has a great flexibility and can be used in multiple examination and operating rooms. The high illumination and wide focusable light field makes it possible to perform examinations as well as small surgical interventions.

TECHNICALDETAILS

	EMALED 300 F+
Illumination (at 1 m)	160.000 lx
Lighting intensity	10 - 100 %
focusable diameter of lightning field D10	150 - 300 mm
Operating distance	70 – 140 cm
Colour temperature	4.500 K
Colour rendering index	99 Ra
Life expectancy of LEDs	60.000 hrs
Diameter of light head	440 mm
Number of LEDs	42
Main voltage	230 V
Frequency	50 – 60 Hz
Power consumption	24 VA
weight of lighting element	4,0 kg
weight of complete system	30 kg



- Natural colour rendering
- Shadow-free illumination
- Barely noticeable heating of the light head
- No moveable parts in the light head
- Low maintenance requirements
- Adjustable illumination in 10 steps
- Powder coated aluminum case
- Two autoclavable handles are included (additional handles can be ordered any time)
- 4-step focusing via the control panel with LCD display
- Protection: Class I, type B
- Lamp head protection rating: IP54
- Optionally: Colour temperature 3.500 -5.000K, cardanic system.

