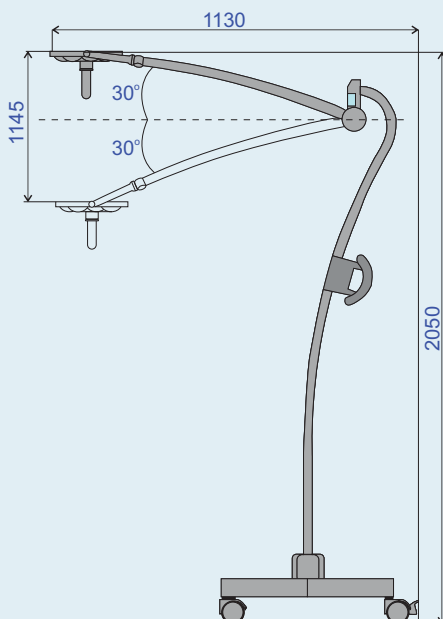


The examination light EMALED 200 F is the mobile version of the 202 series. Its mobility allows to use this light in several rooms.



## TECHNICAL DETAILS

Illumination (at 1 m)	50.000 lx
Lighting intensity	20 - 100 %
Diameter of lightning field D10	170 mm
Operating distance	80 - 150 cm
Colour temperature	3.500-5.000 K
Colour rendering index	97 Ra
R9 index	95
Life expectancy of LEDs	60.000 hrs
Diameter of light head	240 mm
Number of LEDs	8
Main voltage	230 V
Frequency	50 - 60 Hz
Power consumption	10 VA
Weight of lighting element	1,5 kg
Weight of complete system	12,5 kg



- Natural colour rendering
- Barely noticeable heating of the light head
- No moveable parts in the light head
- Low maintenance requirements
- Adjustable illumination in 5 steps
- Two autoclavable handles are included (additional handles can be ordered any time)
- Colour temperature regulation in 5 steps