

This light head EMALED 602 with a light head diameter of 650 mm and its flat and unique design, is compatible with laminar flow ceilings. This surgical light grants best light quality, a large light field and is therefore suitable also for big surgical interventions.



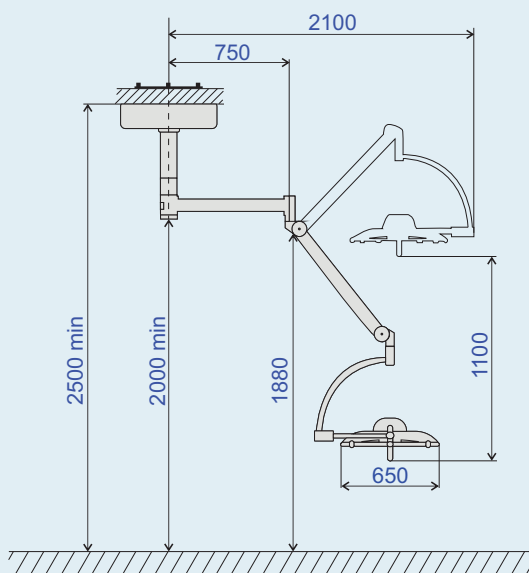
TECHNICAL DETAILS

Illumination (at 1 m)	160.000 lx
Lighting intensity	10 - 100 %
Focusable diameter of lightning field D10	200 - 350 mm
Operating distance	180 - 1500 cm
Colour temperature	3.500 - 5.000 K
Colour rendering index	97 Ra
R9 index	95
Life expectancy of LED´s	60.000 hrs
Diameter of light head	650 mm
Number of LEDs	85
Main voltage	100 - 240 V / 24 V
Frequency	50 - 60 Hz
Power consumption	75 VA
Weight of lighting element	15 kg
Weight of complete system	90 kg

- Natural colour rendering grants a great light quality
- Shadow-free illumination
- Barely noticeable heating of the light head
- No movable parts in the light head
- Low maintenance requirements
- Adjustable illumination in 10 steps
- Powder coated aluminium case
- Two autoclavable handles are included (additional handles can be ordered any time)
- High flexibility: 360° rotation horizontal
- 4-step focusing via the control panel with LCD display
- Endoscopic mode
- Macro mode
- Colour temperature regulation in 5 steps

Optional available:

- Remote control (also for double dome lights)
- Emergency power back-up (for up to 4hrs network independent use)
- Full HD camera
- Laser pointer



This combination of light heads grants the highest possible illumination, the largest lightning field and is suitable for any kind of surgical intervention. Even long lasting interventions will be no problem, thanks to the low head release of the light heads.



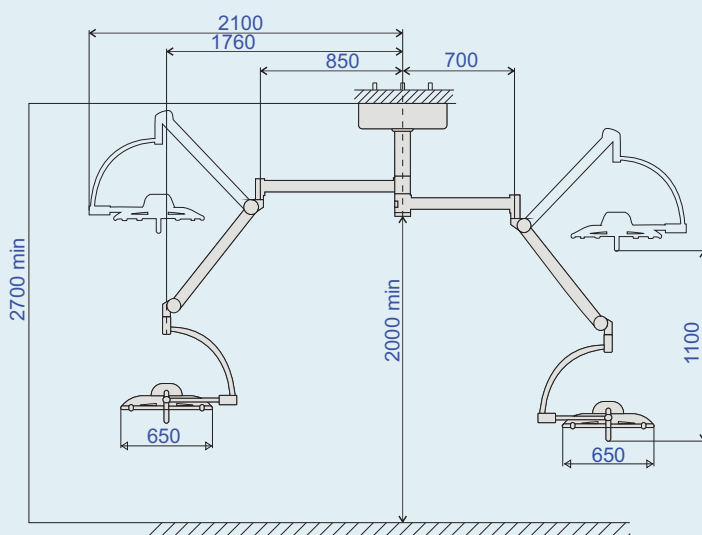
TECHNICAL DETAILS

Illumination (at 1 m)	160.000 lx
Lighting intensity	10 - 100 %
Focusable diameter of lightning field D10	200 - 350 mm
Operating distance	180 - 1500 cm
Colour temperature	3.500 - 5.000 K
Colour rendering index	97 Ra
R9 index	95
Life expectancy of LED´s	60.000 hrs
Diameter of light head	650 mm
Number of LEDs	85
Main voltage	100 - 240 V / 24 V
Frequency	50 - 60 Hz
Power consumption	75 VA + 75 VA
Weight of lighting element	15 kg
Weight of complete system	121 kg

- Natural colour rendering grants a great light quality
- Shadow-free illumination
- Barely noticeable heating of the light head
- No movable parts in the light head
- Low maintenance requirements
- Adjustable illumination in 10 steps
- Powder coated aluminium case
- Two autoclavable handles are included (additional handles can be ordered any time)
- High flexibility: 360° rotation horizontal
- 4-step focusing via the control panel with LCD display
- Endoscopic mode
- Macro mode
- Colour temperature regulation in 5 steps

Optional available:

- Remote control (also for double dome lights)
- Emergency power back-up (for up to 4hrs network independent use)
- Full HD camera
- Laser pointer





SURGICAL LIGHT EMALED® 602 F mobile or EMALED® 602 M mobile

This mobile surgical light EMALED 602 mobile or EMALED 602 mobile has a great flexibility and can be used in multiple examination and operating rooms. With the biggest light head of EMALED series it's possible to perform surgical interventions wherever it's needed.

TECHNICAL DETAILS

	EMALED 602 F mobile	EMALED 602 M mobile
Illumination (at 1 m)	160.000 lx	160.000 lx
Lighting intensity	10 - 100 %	10 - 100 %
focusable diameter of lightning field D10	200 - 350 mm	200 - 350 mm
Operating distance	180 - 1500 cm	180 - 1500 cm
Colour temperature	3.500 - 5.000 K	3.500 - 5.000 K
Colour rendering index	97 Ra	97 Ra
R9 index	95	95
Life expectancy of LEDs	60.000 hrs	60.000 hrs
Diameter of light head	650 mm	650 mm
Number of LEDs	85	85
Main voltage	100 - 240 V	100 - 240 V
Frequency	50 - 60 Hz	50 - 60 Hz
Power consumption	75 VA + 75 VA	75 VA + 75 VA
Weight of lighting element	15 kg	15 kg
Weight of complete system	53 kg	53 kg
Emergency power supply	-	YES



- Natural colour rendering
- Shadow-free illumination
- Barely noticeable heating of the light head
- No moveable parts in the light head
- Low maintenance requirements
- Adjustable illumination in 10 steps
- Powder coated aluminum case
- Two autoclavable handles are included (additional handles can be ordered any time)
- 4-step focusing via the control panel with LCD display
- Colour temperature regulation in 5 steps
- Emergency power supply consists of power supply unit and accumulators

Optional available:

- Remote control (also for double dome lights)
- Laser pointer
- Full HD camera





TECHNICAL DETAILS

Illumination (at 1 m)	160.000 lx per light head
Lighting intensity	10 - 100 %
Focusable diameter of lightning field D10	200 - 350 mm
Operating distance	180 - 1500 cm
Colour temperature	3.500 - 5.000 K
Colour rendering index	97 Ra
R9 index	95
Life expectancy of LED´s	60.000 hrs
Diameter of light head	650 mm
Number of LEDs	85
Main voltage	100 - 240 V / 24 V
Frequency	50 - 60 Hz
Power consumption	75 VA + 75 VA
Weight of lighting element	15 kg

The combination of the three movable arms and the height-adjustable spring arms allows the two light units and the monitor to be brought into any desired position. Thus, the freely positionable light heads allow easy illumination of the body region to be operated on and can be held exactly at their focal point during adjustment.

- Natural colour rendering grants a great light quality
- Shadow-free illumination
- Barely noticeable heating of the light head
- No movable parts in the light head
- Low maintenance requirements
- Adjustable illumination in 10 steps
- Powder coated aluminium case
- Two autoclavable handles are included (additional handles can be ordered any time)
- High flexibility: 360° rotation horizontal
- 4-step focusing via the control panel with LCD display
- Endoscopic mode
- Macro mode
- Full HD camera
- Full HD monitors (available 19 - 32 inch)
- Colour temperature regulation in 5 steps

Optional available:

- Remote control (also for double dome lights)
- Emergency power back-up (for up to 4hrs network independent use)
- Laser pointer

