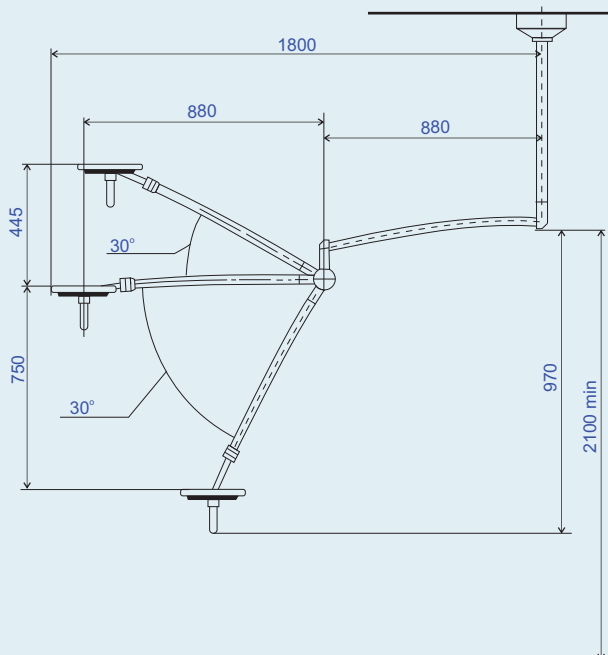




The ceiling mounted examination light EMALED 202 D enables a perfect illumination during medical interventions. The vertically adjustable and horizontal rotatable spring arm allows to adjust the light head in the desired position.

TECHNICAL DETAILS

Illumination (at 1 m)	50.000 lx
Lighting intensity	20 - 100 %
Diameter of lightning field D10	170 mm
Operating distance	80 - 150 cm
Colour temperature	3.500-5.000 K
Colour rendering index	97 Ra
R9 index	95
Life expectancy of LEDs	60.000 hrs
Diameter of light head	240 mm
Number of LEDs	8
Main voltage	230 V
Frequency	50 - 60 Hz
Power consumption	10 VA
Weight of lighting element	1,5 kg
Weight of complete system	12,5 kg



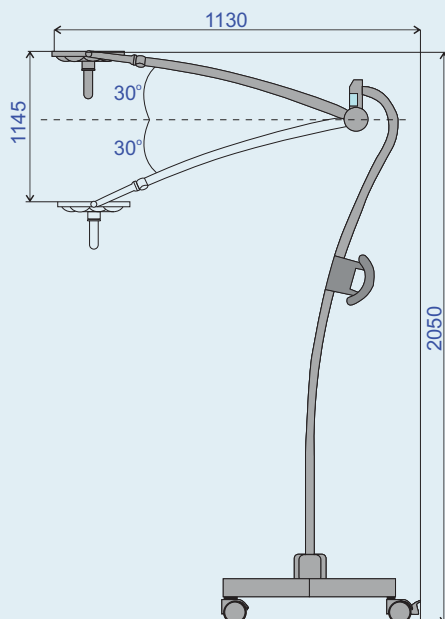
- Natural colour rendering
- Barely noticeable heating of the light head
- No moveable parts in the light head
- Low maintenance requirements
- Adjustable illumination in 5 steps
- Two autoclavable handles are included (additional handles can be ordered any time)
- Colour temperature regulation in 5 steps

The examination light EMALED 200 F is the mobile version of the 202 series. Its mobility allows to use this light in several rooms.



TECHNICAL DETAILS

Illumination (at 1 m)	50.000 lx
Lighting intensity	20 - 100 %
Diameter of lightning field D10	170 mm
Operating distance	80 - 150 cm
Colour temperature	3.500-5.000 K
Colour rendering index	97 Ra
R9 index	95
Life expectancy of LEDs	60.000 hrs
Diameter of light head	240 mm
Number of LEDs	8
Main voltage	230 V
Frequency	50 - 60 Hz
Power consumption	10 VA
Weight of lighting element	1,5 kg
Weight of complete system	12,5 kg



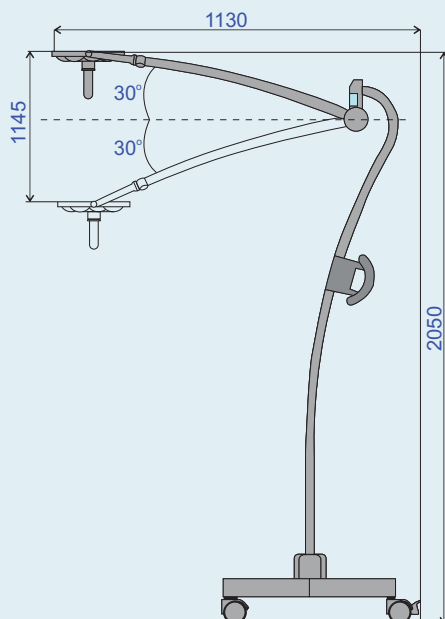
- Natural colour rendering
- Barely noticeable heating of the light head
- No moveable parts in the light head
- Low maintenance requirements
- Adjustable illumination in 5 steps
- Two autoclavable handles are included (additional handles can be ordered any time)
- Colour temperature regulation in 5 steps

The examination light EMALED 202 F is the mobile version of the 202 series. Its mobility allows to use this light in several rooms.



TECHNICAL DETAILS

Illumination (at 1 m)	70.000 lx
Lighting intensity	20 - 100 %
Diameter of lightning field D10	170 mm
Operating distance	80 - 150 cm
Colour temperature	3.500-5.000 K
Colour rendering index	97 Ra
R9 index	95
Life expectancy of LEDs	60.000 hrs
Diameter of light head	240 mm
Number of LEDs	8
Main voltage	230 V
Frequency	50 - 60 Hz
Power consumption	10 VA
Weight of lighting element	1,5 kg
Weight of complete system	12,5 kg



- Natural colour rendering
- Barely noticeable heating of the light head
- No moveable parts in the light head
- Low maintenance requirements
- Adjustable illumination in 5 steps
- Two autoclavable handles are included (additional handles can be ordered any time)
- Colour temperature regulation in 5 steps

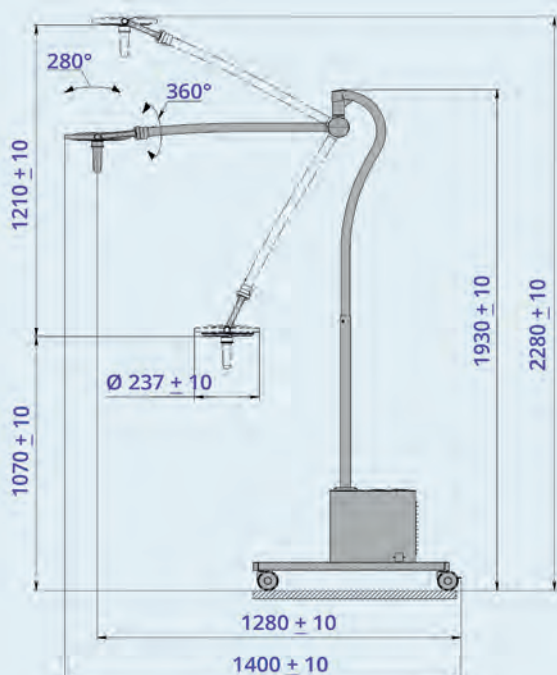


The mobile examination light EMALED 202 M with a battery back-up can be used without power connection up to 24 hours. The high illumination and excellent lightning quality makes this mobile surgical light a good allrounder in multiple fields.



TECHNICAL DETAILS

Illumination (at 1 m)	50.000 lx
Lighting intensity	20 - 100 %
Diameter of lightning field D10	170 mm
Operating distance	80 – 150 cm
Colour temperature	3.500-5.000 K
Colour rendering index	97 Ra
R9 index	95
Life expectancy of LEDs	60.000 hrs
Diameter of light head	240 mm
Number of LEDs	8
Main voltage	230 V
Frequency	50 – 60 Hz
Power consumption	10 VA
Weight of lighting element	1,5 kg
Weight of complete system	37,5 kg



- Natural colour rendering
- Barely noticeable heating of the light head
- No moveable parts in the light head
- Low maintenance requirements
- Adjustable illumination in three steps
- Two autoclavable handles are included (additional handles can be ordered any time)
- Colour temperature regulation in 5 steps

The examination light EMALED 202 W is the wall mounted version of the 202 series. It features high mobility and good positioning of the light head during medical interventions and can be used for various purposes.



TECHNICAL DETAILS

Illumination (at 1 m)	50.000 lx
Lighting intensity	20 - 100 %
Diameter of lightning field D10	170 mm
Operating distance	80 - 150 cm
Colour temperature	3.500-5.000 K
Colour rendering index	97 Ra
R9 index	95
Life expectancy of LEDs	60.000 hrs
Diameter of light head	240 mm
Number of LEDs	8
Main voltage	230 V
Frequency	50 - 60 Hz
Power consumption	10 VA
Weight of lighting element	1,5 kg
Weight of complete system	10,5 kg

- Natural colour rendering
- Barely noticeable heating of the light head
- No moveable parts in the light head
- Low maintenance requirements
- Adjustable illumination in 5 steps
- Two autoclavable handles are included (additional handles can be ordered any time)
- Colour temperature regulation in 5 steps

